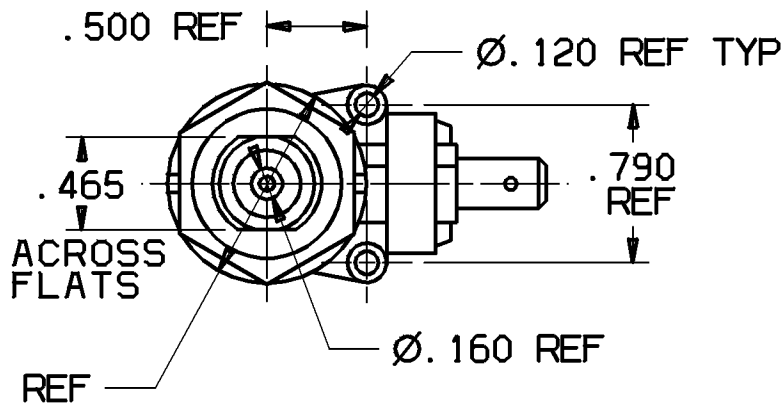
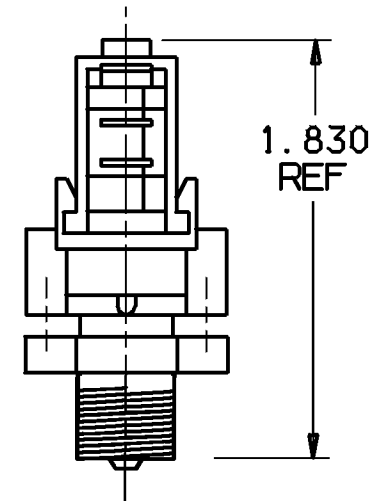
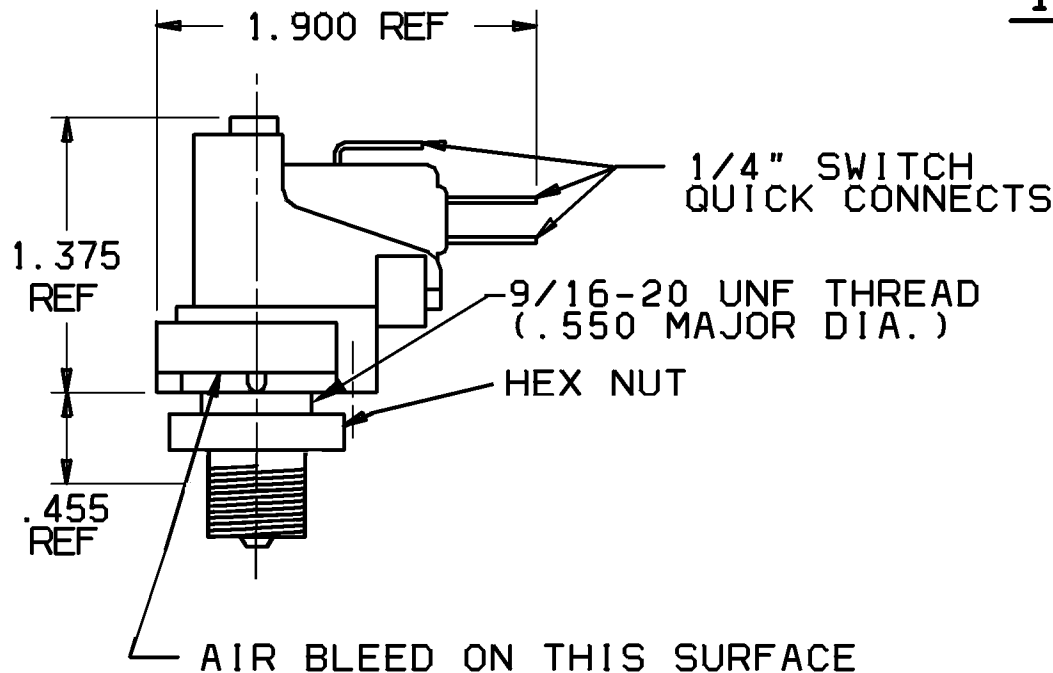


SOURCE CONTROL

133RC1144



SWITCH RATING:
3A, 240VAC
MOMENTARY CONTACT

SEE B/M FOR ALL PART NUMBERS AND QUANTITIES

LET	REVISION	DATE/BY	MODEL	DR: GLM 1 FEB 95	ITEM	PART NUMBER	DESCRIPTION	QTY
				ORIG: GLM 1 FEB 95	INTERMATIC INCORPORATED			
				CHKD: GLM 1 FEB 95	NAME: SWITCH-AIR, MOMENTARY			
3	REMOVED COMPRESSION NUT	BH 9/19/2008		SCALE: 1:1	MATL: PURCHASED			
2	ADDED COMPRESSION NUT TO DWG	CH 6-10-08		APPROVED	FINISH: NONE			
1	REVISE TO ELEC. DATA	9/99	RC2000 SER	GLM 2/9/95	HEAT TREAT: NONE			
				3-RN 9/19/08				
				SUPERSEDES >				

TOOL TOL: BOXED TOLERANCES ARE FOR LIFE-OF-TOOL DEVIATION ONLY. DO NOT USE FOR RE-TOOLING.

DIM TOL: DECIMALS (UNLESS OTHERWISE SPECIFIED)-TWO PLACE (.00)±.015-THREE PLACE (.000)±.005 ANGLES ±30 MINUTES - ALL DIMENSIONS MUST BE MET BEFORE PLATING.